

RK Electricals

Empowering Future...

Product *Catalogue*

RK Electricals

238, Ground Floor, Hukum Singh

Market Sultanpur Mazara, Sultanpuri,

Delhi – 110086

Email – rkelectricals.smc@gmail.com

Mob – 08800447017

RK Electricals

Empowering Future...

ABOUT US

We at **RK Electricals** are engaged in manufacturing of Electric Control Panel accessories and Switchgear components.

An enriched experience of product development and its application esthetics along with the deep understanding of the market and customer psyche has helped us in growing to newer heights for the last two decades.

A continuous process of enhancing our strength and capability in order to overcome our shortcomings and upgrading to the ever changing world of technology and economics has been the philosophy of the company since its inception.

ONE STOP SHOP

We offer under one roof services from **Conceptualization to Production** of product which is empowered with CAD based designing process, compounding of various raw materials in house and moulding by fully automatic compression.

The Mould and dies of all the components are developed within our premises in order to maintain the accuracy of the product aesthetics as well as critical aspects of its and application.

Our product portfolio utilizes the usage of fibre reinforced compounds.

TQS

We are at all times committed to a **Total Quality Solution** achieved by a we designed and integrated production process accompanied with an efficient pre and post sales services to our valued customers.

OUR AIM

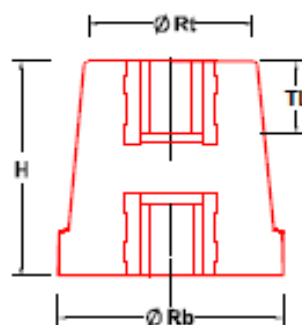
We want to work with a sincere approach and genuine business ethics in order to become an integral and indispensable link between the different segments of the industry.

Bus Bar Insulators

Standoff insulators are made of poly glass polyester material reinforced with fiberglass. We are manufactured in various dimensions and colour for different application and the available designs are conical insulators.

The raw material (DMC) has high electrical, mechanical and physical properties suitable for precarious working conditions. We have mould with electrical grade brass or steel inserts for mounting.

Conical Type Insulators



Height in mm	Part No.	Insert (M)	Rt (mm)	Rb (mm)	TL (mm)	Nominal Voltage AC/DC
25	C625	M6	21	25	8	400/500
30	C630	M6	23	30	8	600/750
30	C830	M8	23	30	9	600/750
35	C635	M6	23	35	8	600/750
35	C835	M8	23	35	9	600/750
40	C640	M6	32	40	8	600/750
40	C840	M8	32	40	9	1000/1200
40	C1040	M10	32	40	10	1000/1200
45	C845	M8	32	45	9	1000/1200
45	C1045	M10	32	45	10	1000/1200
50	C850	M8	38	50	9	1200/1500
50	C1050	M10	38	50	10	1200/1500
50	C1250	M12	38	50	13	1200/1500
60	C1060	M10	40	60	10	1500/1800
60	C1260	M12	40	60	13	1500/1800

Bus Bar Supports

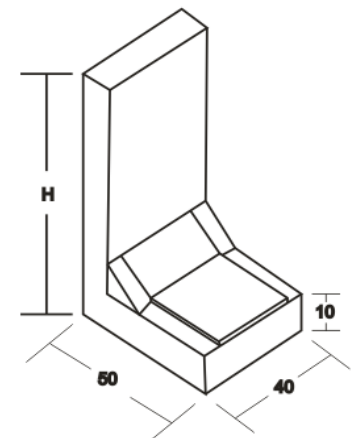
The Range of Bus bar Support is quite extensive and is available from single pole to four pole applications.

We are made of fibre glass reinforced polyester resin compounds such as DMC and SMC.

The raw material has high electricals, mechanical and physical properties and the finished components are regularly tested as per the applicable parameters.

Tailor made bus bar supports can be developed for specific application.

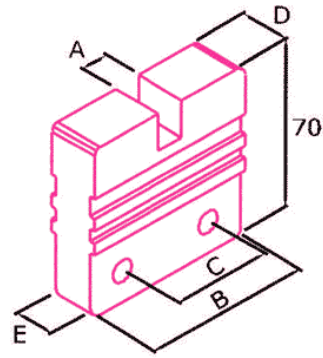
L – Type Support



Dimensions

<u>Pert No.</u>	<u>Height in mm</u>
L – 60 mm	60 mm
L – 85 mm	85 mm
L – 105 mm	105 mm
L – 125 mm	125 mm
L – 150 mm	150 mm

Finger Type Support

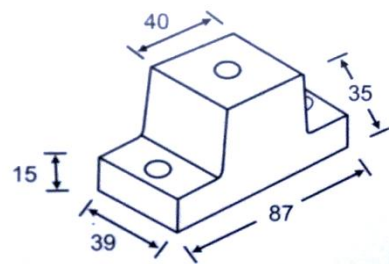
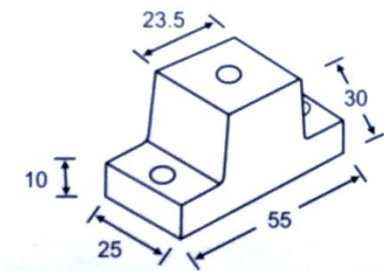


<u>Bus Bar Slot</u>	<u>Part No.</u>	<u>A</u>	<u>B</u>	<u>C</u>	<u>D</u>	<u>E</u>	<u>F</u>	<u>Sd</u>
6mm x 1	106 W	7	60	32	14	10		15
10mm x 1	110 W	11	60	32	14	10		15
12mm x 1	112 W	14	60	32	14	10		15
6mm x 1	106 K	7	70	40	20	16		15
10mm x 1	110 K	11	70	40	20	16		15
12mm x 1	112 K	14	70	40	20	16		15
6mm x 2	206 W	7	60	32	14	10	6	15
10mm x 2	210 W	11	60	32	14	10	9	15
6mm x 2	206 K	7	70	40	20	16	6	15
10mm x 2	210 K	11	70	40	20	16	9	15
12mm x 2	212 K	14	70	40	20	16	11	15
6mm x 3	306 K	7	70	40	20	16	6	15

RK Electricals

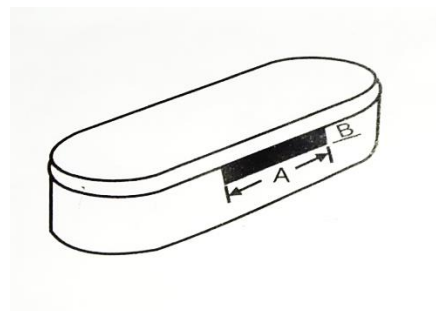
Empowering Future...

Single Pole Supports



Material are in Red, Yellow, Blue and Black

DC CLIP



Part No.	A	B
DC 25x3 mm	25 mm	3 mm
DC 25x6 mm	25 mm	6 mm

RK Electricals

Empowering Future...

THREE PHASE CONNECTOR



Part Name	L	W	H	No. of Connector	Bolt
63 Amp.	120 mm	25 mm	10 mm	4	M6

BC Clip



Part Name	L	W	H	Strip Size
BC – 325	75 mm	25 mm	40 mm	25x3 mm
BC – 325	75 mm	25 mm	40 mm	25x6 mm

RK Electricals

Empowering Future....

TECHNICAL SPECIFICATION

Properties	Unit	Test Method (ASTM)	SMC	DMC
<u>PHYSICAL</u>				
Specific Gravity		D – 792	1.7	1.9
Glass Contents	%	N.A.	25	15
Water Absorption (24 hrs.)	%	D – 570	0.2	0.15
<u>MECHANICAL</u>				
Tensile Strength	Kgf/cm ²	D - 638	700	400
Flexural Strength	Kgf/cm ²	D – 790	1550	900
Compressive Strength	Kgf/cm ²	D – 695	1800	1500
Impact Strength Izod	J/m	D – 265	600	250
<u>ELECTRICAL</u>				
Dielectric Strength	KV/mm	D – 149	12	10
Tracking Index	Volts	BS – 5901	+600	+600
ARC Resistance	Secs	D – 495	+180	+180
Flammability		UL – 94	V-0	V-0

TOLERANCE CHART

DIM (mm)	TOLERANCE (+/-)
1 – 15 mm	0.25 mm
16-150 mm	0.5 mm
101 – 250 mm	1.5 mm
250 & above	2.0 mm

Disclaimer

All data given in this catalogue has been determined carefully at the company's test lab. With the variety of purpose for which the products are used, and the methods and application techniques employed, however the data and information are given only as a guide. And are not binding. No guarantee of there authenticity can therefore be assumed. In all situations the company reserves the right to modify features without prior notice in view of continued improvements and developments.